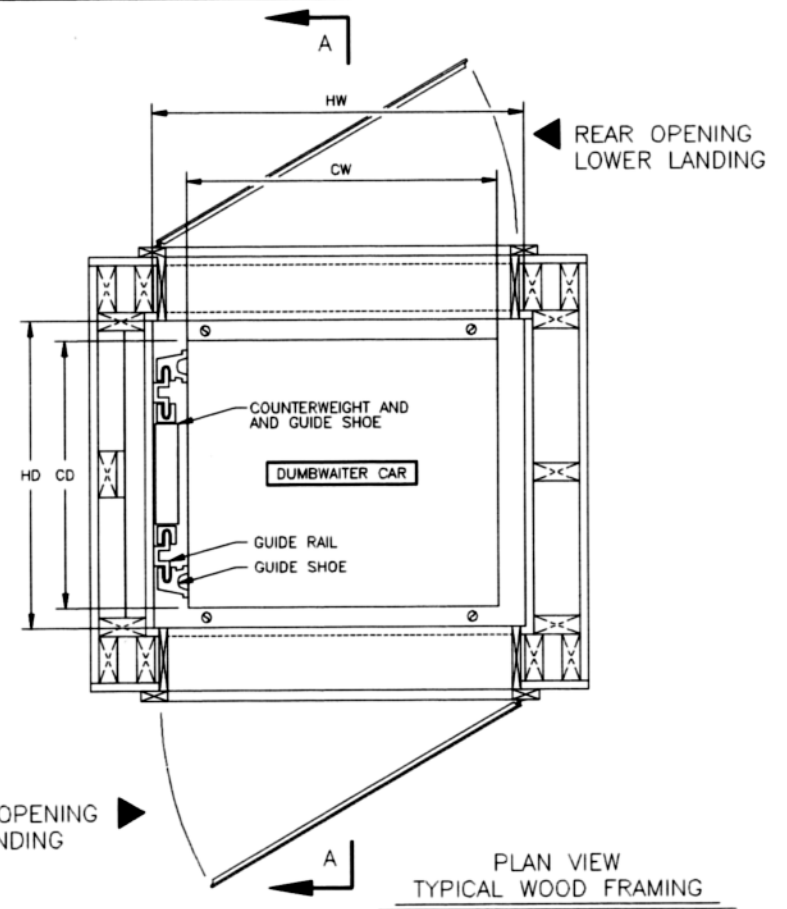


**NOTE:**

1. WHEN USING METAL STUDS, ALL GUIDE RAIL BLOCKING AND MACHINE SUPPORT BLOCKING, SHALL BE PRESSURE TREATED LUMBER.



**MILLER  
MANUFACTURING  
INCORPORATED**  
165 Cascade Court  
Rohnert Park, CA 94928-1683



ALL DIMENSIONS ARE FINISH (TOP NUMBERS ARE METRIC)

RESIDENTIAL MODEL	DIMENSIONS	(HW) HOISTWAY WIDTH	(HD) HOISTWAY DEPTH	CAR DIMENSIONS			CAPACITY KILOS (lbs)	(E) EQUIPMENT SPACE	(H) TOP FLOOR TO CEILING	LIFT RATIO
				(CW) WIDTH	(CD) DEPTH	(CH) INSIDE HEIGHT				
R24FR	METRIC	71	58	60	50	91.4	48	78.7	246	3.7
	INCHES	(28")	(23")	(24")	(20")	(36")	(75)	(31")	(8'-1")	